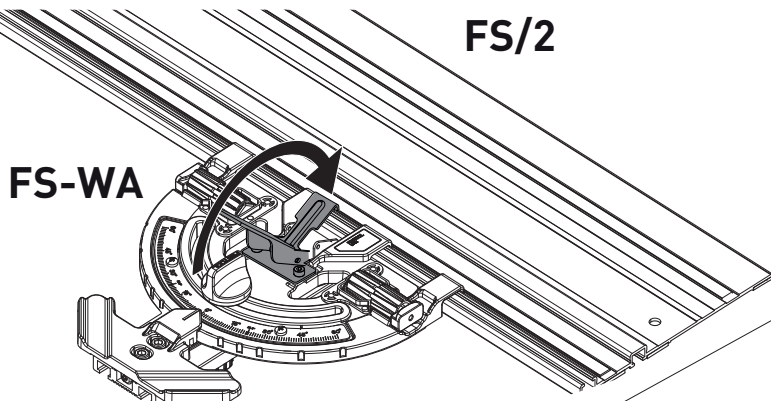
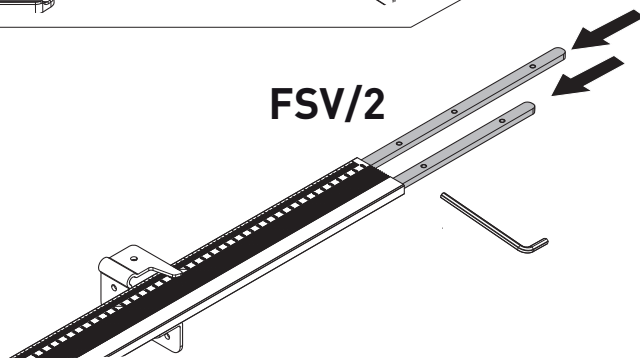


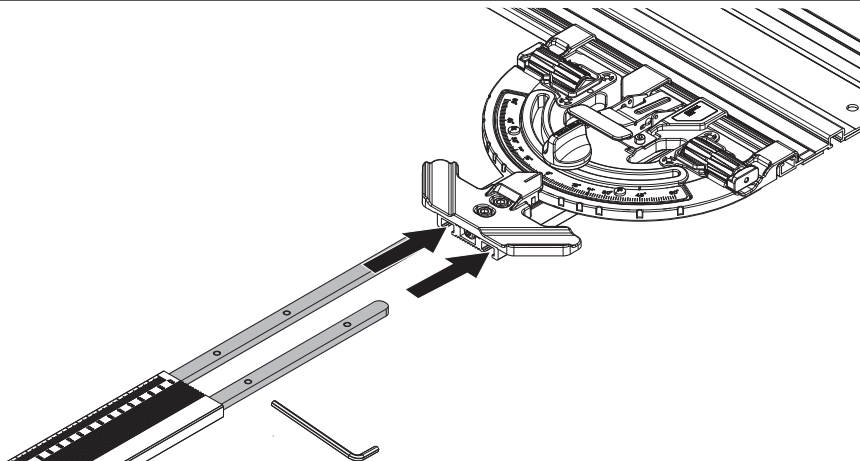
1



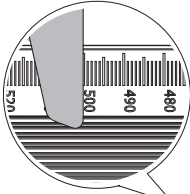
2



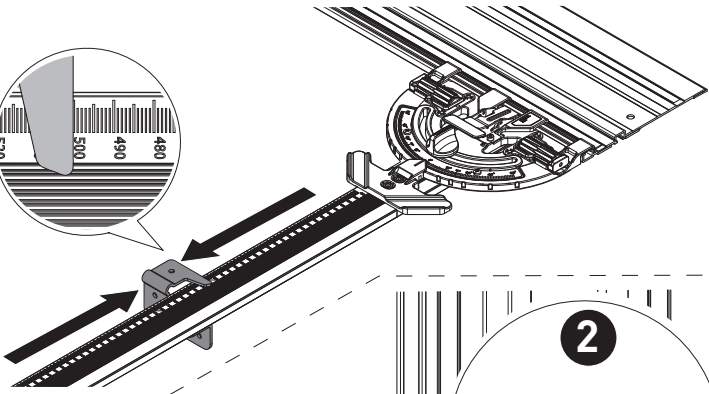
3



4

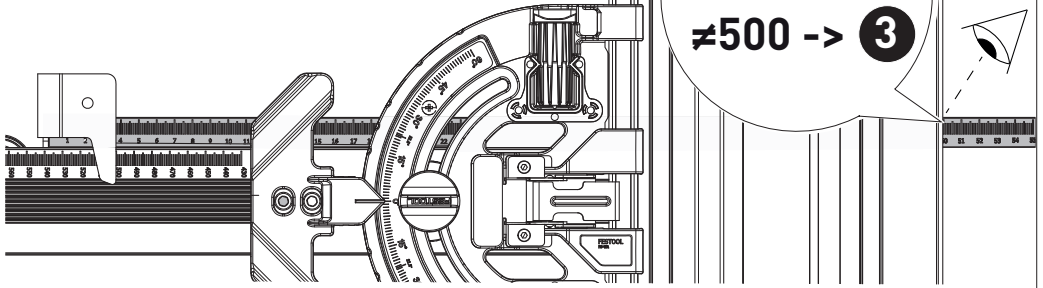


1

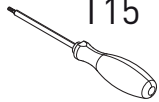


2

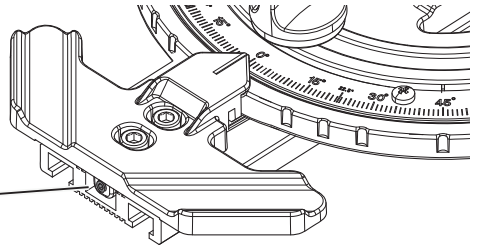
=500 -> OK
≠500 -> 3



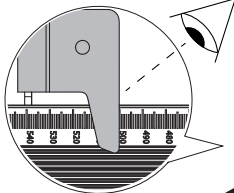
T15



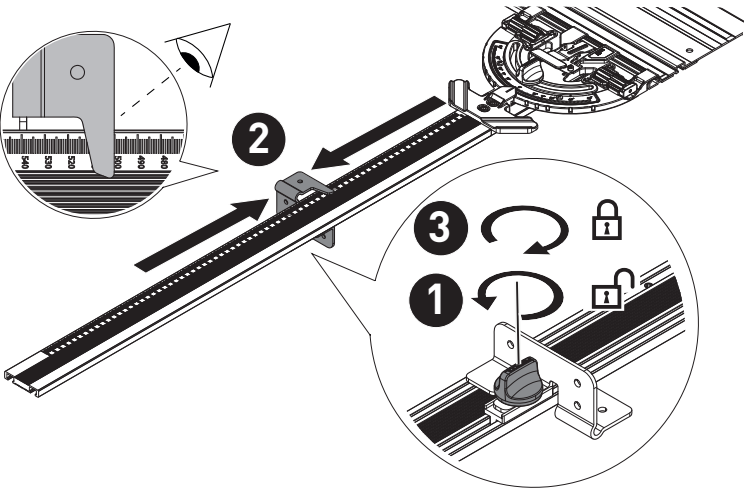
3



5



2



3

1